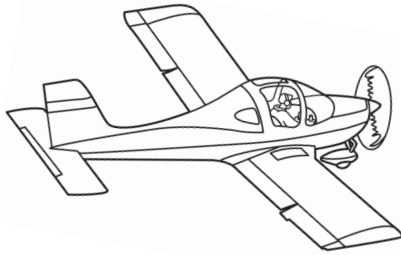
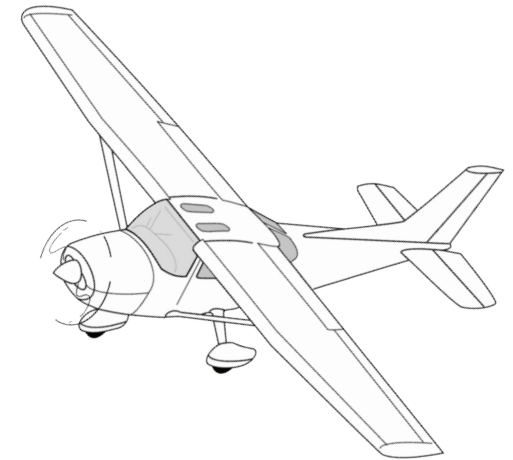


# Find-a-Word #1



I V P  
 C I C Y Y R P B T  
 P D C B N M S A L U T E I  
 X I S Q U A D R O N Y E S Y T U D  
 M Q B Q B N L K V Q J C Y O X K V Z A  
 B O L G Z C U L S E C T I O N T T F W T V  
 I N Z G W H A O A I R C R A F T Q G E F O  
 N R O D V A S V O G Z K B G S F L I G H T N O  
 W C P E H I G Q N X I G I Y P Q U N I F O R M  
 C M X L V U R Y K N H A L O H E L I C O P T E R Z  
 Y E T A I L P L A N E J S A D E S W I N G A T G A  
 B L O N O P O S N J Y E L E N S U B I P L A N E Y  
 Y G T R E Q B R R Q R A V S N F N I Z M W G L O S J F  
 P P T U W L M T N I K I S W J V Z I E F N C X F V V R  
 H F I N U N D E R C A R R I A G E T Z W Y N F F Q V F  
 K C W I J K P S K K S X A I P N B H U K Z U I N X  
 D D A G R U D D E R H B I O I G I I P Q A S C C O  
 X E Y L Q D T W Q L I Q L E L E V A T O R E E O S  
 D F L Y I N G Z L P I E E O F O W B D K L R D  
 Z M O Y Q D O I S W F R D T H K I A G I A R X  
 W J N Q L E P Z N G O A V M G V N B M G K  
 U L S U X Q I H I E N O F G L I D E R E C  
 J B R C H E V R O N L B I B S D P X W  
 T B R C A D E T A O X S H Q Q I H  
 C O C K P I T U L D N W C  
 J A W S D D F G V  
 G C X

- AIRCRAFT
- FLYING
- WING
- FUSELAGE
- UNIFORM
- MONOPLANE
- BIPLANE
- GLIDER
- HELICOPTER
- BALLOON
- AIRSHIP
- FIN
- UNDERCARRIAGE
- COCKPIT
- TAILPLANE
- AILERON
- RUDDER
- ELEVATOR
- RUNWAY
- AIRPORT
- PILOT
- OFFICER
- NCO
- CADET
- SALUTE
- CHEVRON
- SECTION
- FLIGHT
- SQUADRON
- BAND



*Australian*  
**Air League**

[www.airleague.com.au](http://www.airleague.com.au)

1800 502 175

Name .....