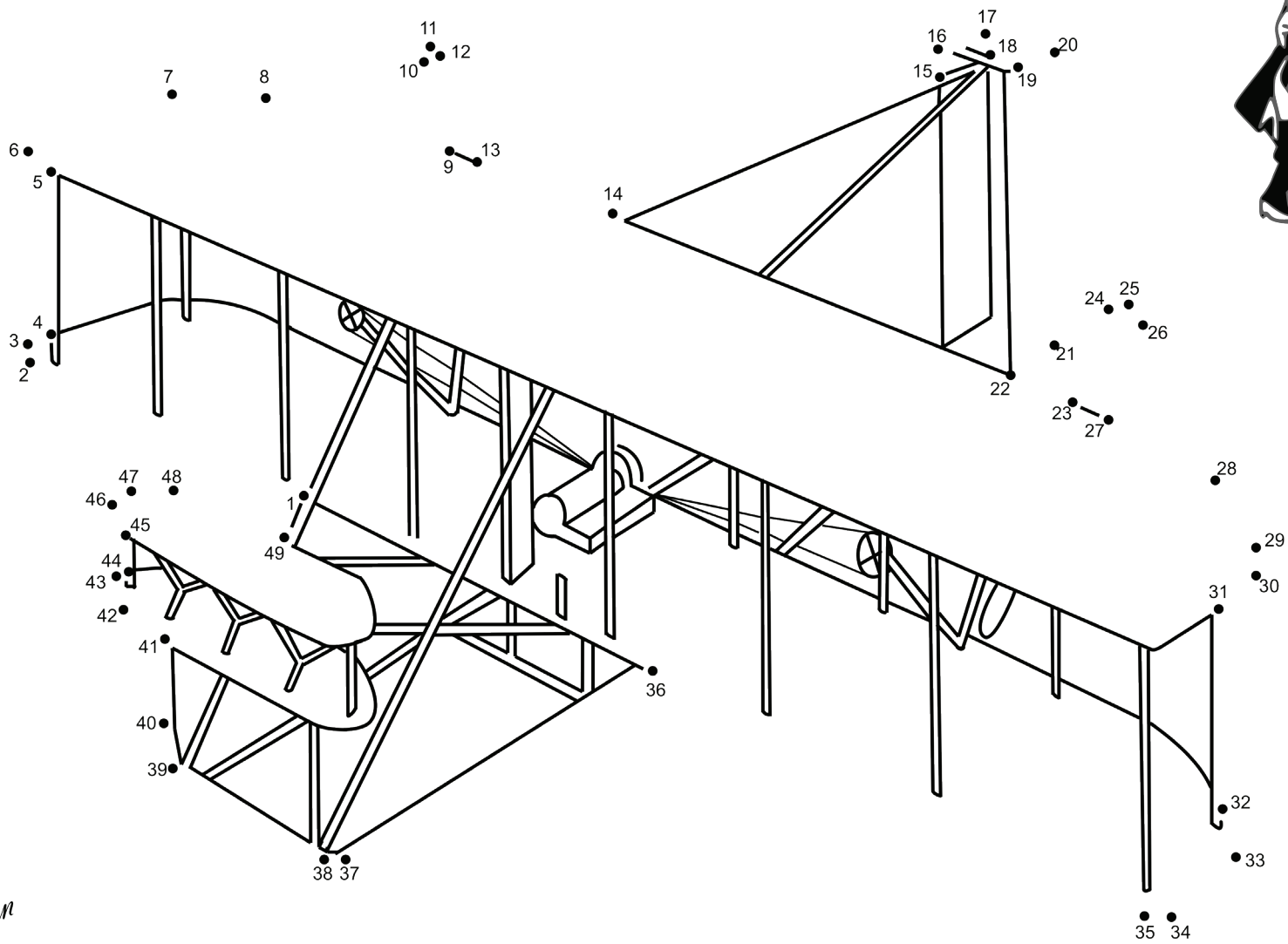


Wright Flyer



Australian
Air League

www.airleague.com.au

1800 502 175

The first successful powered aircraft was the Wright Flyer
that took to the air on December 17 1903

© Australian Air League 2020

Name